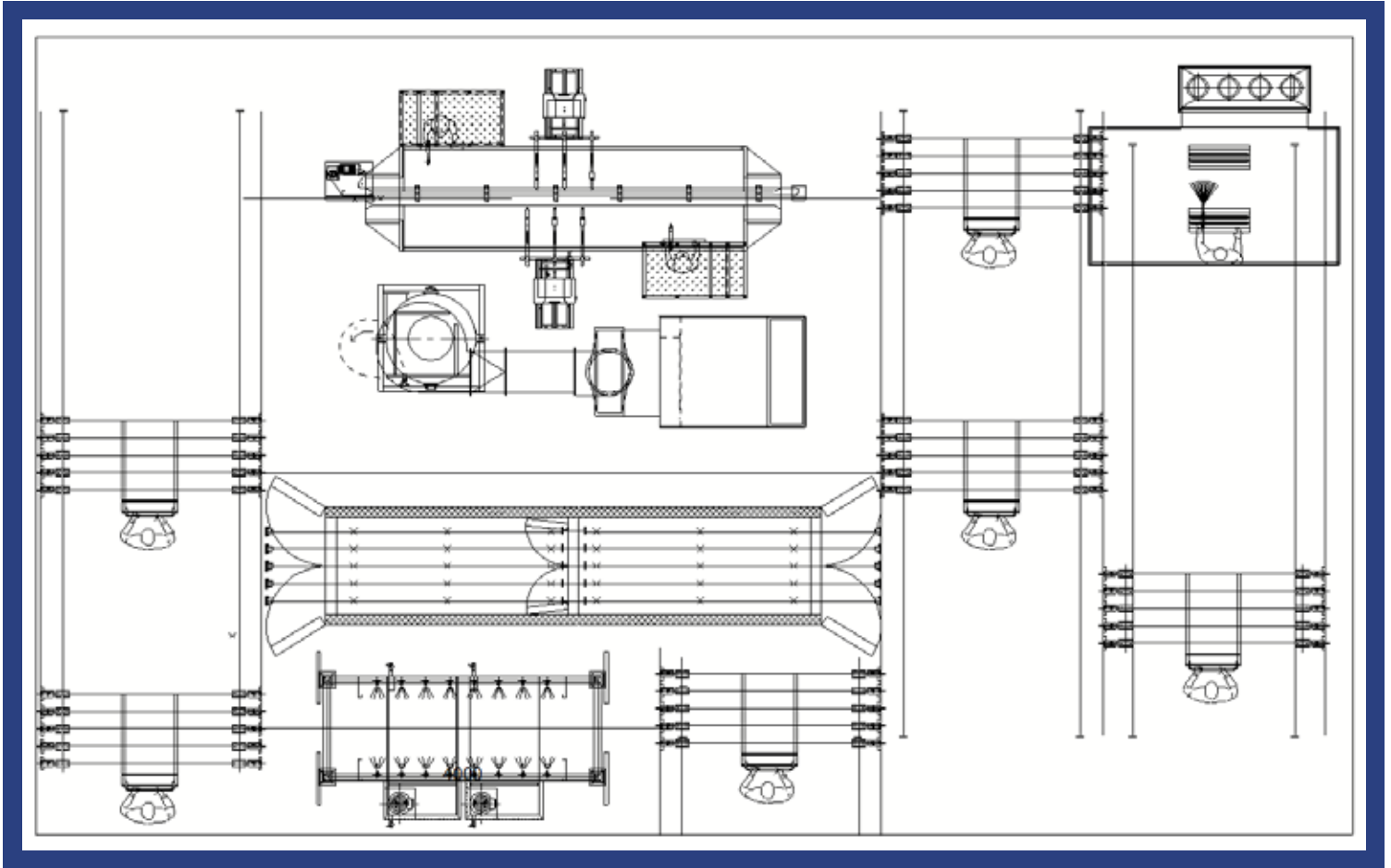


Manual powder coating line-Croatia



Process flow:

Loading — spray pretreatment — powder coating — curing — cooling — unloading

1. Workpiece name: box transformer
2. Maximum size: L3000*W800*H1700 (mm)
3. Area size: 19m*12m

4. Heating method: electric heating

5. Conveying specifications: 50Kg hanging rail

On-site installation diagram ▼



Group photo of customers ▼

